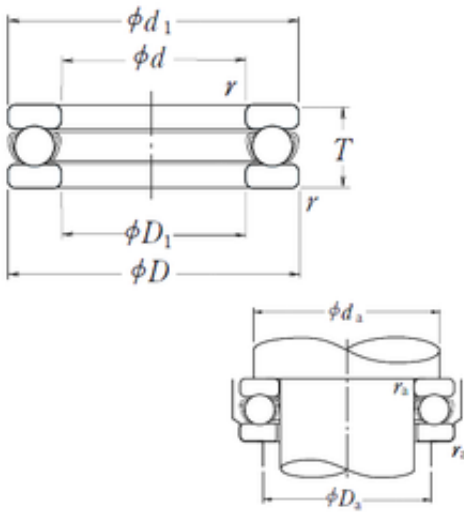




## China abec 9 Bearings Supplier



51103 Bearing 2D drawings and 3D CAD models

### NSK Thrust Ball Bearing 51103 5110 51102 51108 51101

Bearing No. 51103

Size	17x30x9 mm
Bore Diameter	17 mm
Outer Diameter	30 mm
Width	9 mm
d	17 mm
D	30 mm
T	9 mm
d1	30 mm
r min.	0,3 mm
D1	18 mm
da min.	25 mm
Da max.	22 mm
ra max.	0,3 mm
Weight	0,025 Kg
Basic dynamic load rating (C)	11,4 kN
Basic static load rating (C0)	19,5 kN
(Grease) Lubrication Speed	6000 r/min
Category	Thrust Ball Bearing
Inventory	0.0
Manufacturer Name	NSK
Minimum Buy Quantity	N/A
Weight / Kilogram	0.02
Product Group	B00308
Rolling Element	Ball Bearing
Thrust Bearing	Yes



## China abec 9 Bearings Supplier

Single or Double Direction	Single Direction
Banded	No
Cage Material	Steel
Precision Class	Non-Precision
Component Description	Roller Assembly Plus Raceways
Other Features	Single Row   With Flat Seat
Long Description	17MM Bore 1; 18MM Bore 2; 30MM Outside Diameter; 9MM Height; Ball Bearing; Single Direction; Not Banded; Steel Cage; Non-Precision
Inch - Metric	Metric
Category	Thrust Ball Bearings
UNSPSC	31171552
Harmonized Tariff Code	8482.10.50.08
Noun	Bearing
Keyword String	Ball Thrust
Manufacturer URL	<a href="http://www.nskamericas.com">http://www.nskamericas.com</a>
Manufacturer Item Number	51103
Weight / LBS	0.05512
Bore 1	0.669 Inch   17 Millimeter
Height	0.354 Inch   9 Millimeter
Outside Diameter	1.181 Inch   30 Millimeter
Bore 2	0.709 Inch   18 Millimeter
Overall Height with Aligning Washer	0 Inch   0 Millimeter
bore diameter:	17 mm
static load capacity:	4400 lbf
outside diameter:	30 mm
dynamic load capacity:	9400 lbf
overall width:	9 mm
operating temperature	Maximum of +120 ° C



## China abec 9 Bearings Supplier

range:	
thrust bearing type:	Single-Direction
maximum rpm:	9000 rpm
outside diameter design:	Straight
cage material:	Steel Cage
separable or banded:	Separable
fillet radius:	.3 mm
race type:	Flat
series:	51100
precision rating:	ABEC1, P0
SRI	2.6
hidYobi	51103
LangID	1
D_	30
SREX	0.03
C	11.4
B_	9
hidTable	ecat_NSSDTB
Oil rpm	9000
SRE	2.6
mass	0.025
GRS rpm	6000
ra	0.3
SRIX	0.03
D_a	22
SRIN	0
C0	19.5
SREN	0
D_1	18
Prod_Type3	TB_SD_WFS
da	25
DA_	4.762



## China abec 9 Bearings Supplier

Z_	14
yobi	51103
SDM_	23.5
r	0.3
T_	9
KBRG	5111