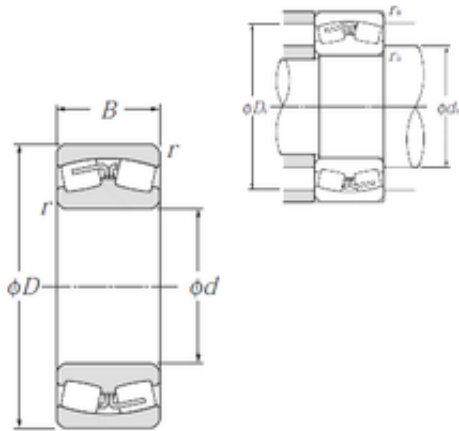




China abec 9 Bearings Supplier

23984 NTN Spherical Roller Bearings



Bearing No. 23984

Size	420x560x106 mm
Bore Diameter	420 mm
Outer Diameter	560 mm
Width	106 mm
d	420 mm
D	560 mm
B	106 mm
C	106 mm
r min.	4 mm
da min.	438 mm
Da max.	542 mm
ra max.	3 mm
Weight	76,2 Kg
Basic dynamic load rating (C)	1 630 kN
Basic static load rating (C0)	3 850 kN
(Grease) Lubrication Speed	530 r/min
(Oil) Lubrication Speed	690 r/min
Calculation factor (e)	0,17
Calculation factor (Y0)	3,86
Calculation factor (Y1)	3,95
rs min	4 mm
Number of lubrication holes	8
b	16 mm
k	10 mm
e	0.17
Y1	3.95

23984 Bearing 2D drawings and 3D CAD models



China abec 9 Bearings Supplier

Y2	5.88
Y0	3.86
Radial clearance class	CN
Dynamic load, C	1,630 kN
Static load, C0	3,850 kN
Fatigue limit load, Cu	324 kN
Nref	690 rpm
Nlim	950 rpm
Min operating temperature, Tmin	-40 ° C
Max operating temperature, Tmax	120 ° C
Characteristic cage frequency, FTF	0.47 Hz
Characteristic rolling element frequency, BSF	15.84 Hz
Characteristic outer ring frequency, BPF0	19.69 Hz
Characteristic inner ring frequency, BPFI	22.31 Hz
da min	434.6 mm
Da max	545.4 mm
ra max	3 mm
Category	Bearings
Inventory	0.0
Manufacturer Name	NTN
Minimum Buy Quantity	N/A
Weight / Kilogram	76.2
Product Group	B04311